

**AXOR Starck Organic**  
**Shower thermostat for exposed installation**  
 Surfaces: **Chrome** Article Number: **12602000**



## Description

### product features

- 1 outlet
- centre distance:  $150 \pm 12$  mm
- flow rate at 3 bar: 20 l/min
- thermostat cartridge
- min. operating pressure: 1 bar
- max. operating pressure: 10 bar
- safety lock at  $40^\circ$  C
- temperature limitation adjustable
- non-return valve
- with silencer
- connection type: s-shaped connections
- connection dimension: DN15

## Design awards



reddot design award

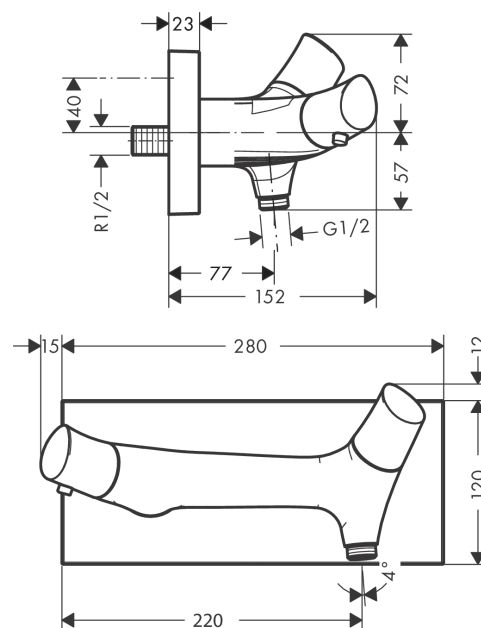


reddot design award  
 best of the best 2013

## Product image



## Scale drawing



## Flowchart

